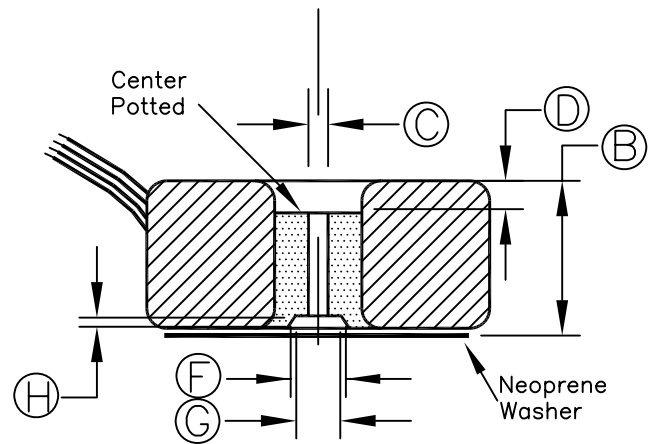
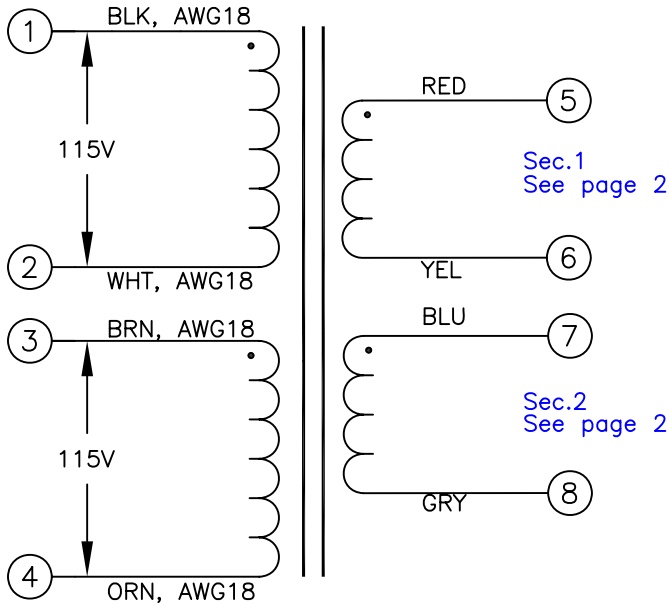
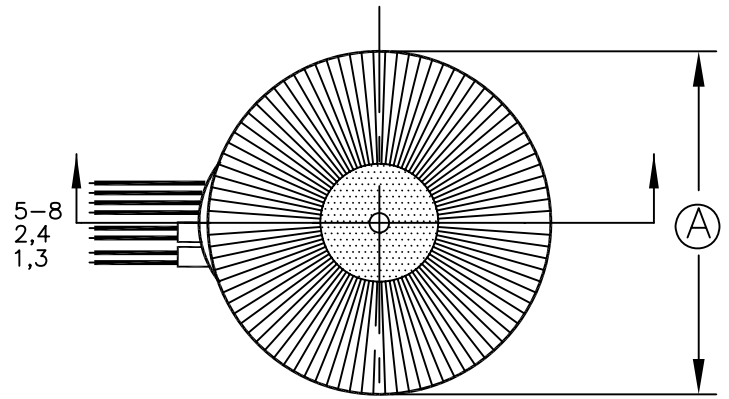


STANDARD 0870XX201

POWER:	VA	500
WEIGHT:	kg	4.5
FREQUENCY:	Hz	50-60
Winding Tolerance	%	±3



REF	DIMENSIONS			TOLERANCE
	Unit:	(nom)	(max)	
A	mm	*135		
B	mm	*63		
C	mm	10		
D	mm	19		±3
F	mm	44		
G	mm	22		
H	mm	8		

LEADS	LENGTH ±10mm	TERMINATION
1-8	350	STRIP 6mm +3/-0mm

NOTES:

1. UL Approved File No.E-110277.
2. Materials and construction is verified by CSA File No.LR 84566-11, TO IEC65(EN60065).
3. CSA Approved File No.LR-84566.
4. All stranded leads are rated for 105°C, 600V minimum.
5. Hipot PRI. to SEC. 4kV for 5 seconds.
6. Primary leads must be connected in parallel or series.



This document is the property of Plitron Manufacturing Inc. It is not to be copied or transmitted or used as the basis for manufacturing of apparatus without written permission.
Copyright Plitron Manufacturing Inc.

TOROIDAL POWER TRANSFORMER

DESIGN BY:	DATE:	DWG NO.	0870XX201
DRAWN BY:	DATE:	SCALE	
CHECKED BY:	DATE:	SHEET 1 OF 2	
APPROVED BY:	DATE:		

Output (VAC RMS)

Part Number	Sec.1	Sec.2	Current	Secondary (leads 5-8)
	V	V	A	AWG
087060201	24	24	10.42	14
087016201	25	25	10.00	14
087017201	30	30	8.33	16
087041201	31	31	8.06	16
087019201	33	33	7.58	16
087018201	35	35	7.14	16
087035201	38	38	6.58	16
087026201	40	40	6.25	16
087025201	45	45	5.56	16
087033201	50	50	5.00	16
087042201	55	55	4.55	18
087052201	60	60	4.17	18
087028201	110	—	4.55	18
087050201	117	—	4.27	18
087029201	220	—	2.27	18
087030201	240	—	2.08	18
087053201	175	175	1.43	22



This document is the property of Plitron Manufacturing Inc. It is not to be copied or transmitted or used as the basis for manufacturing of apparatus without written permission.
Copyright Plitron Manufacturing Inc.

TOROIDAL POWER TRANSFORMER

DESIGN BY:		DATE:		DWG NO. 0870XX201
DRAWN BY:		DATE:		
CHECKED BY:		DATE:		SCALE N/A SHEET 2 OF 2
APPROVED BY:		DATE:		