

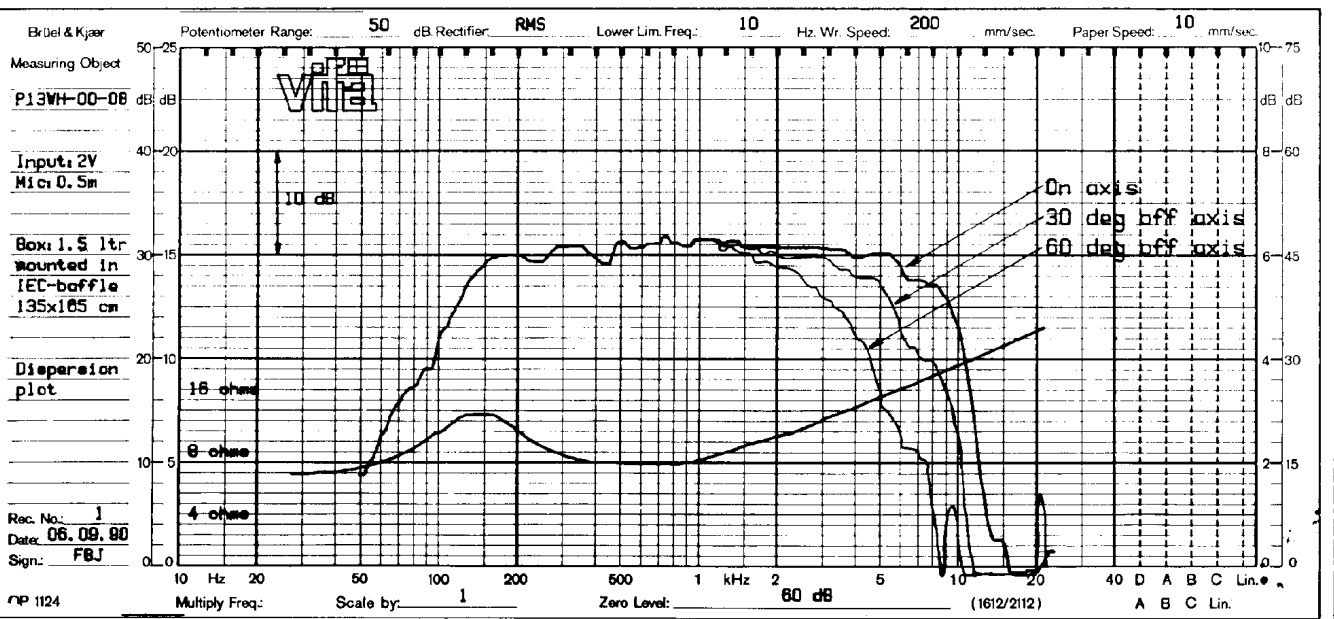
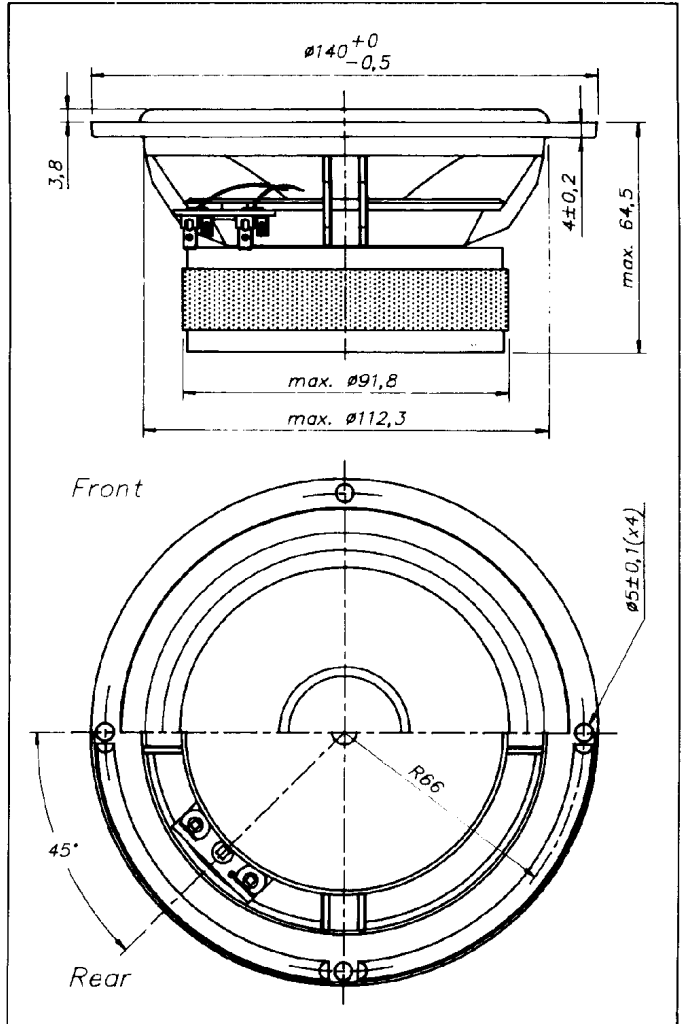
5" WOOFER

P13WH-00-08

SPECIAL FEATURES

- MINERAL FILLED POLYCONE
- HIGH DAMPING RUBBER SURROUND
- SMOOTH ROLL OFF
- OPTIMIZED OFF AXIS RESPONSE
- NEUTRAL MIDRANGE REPRODUCTION
- VENTED THROUGH V.C. FORMER AND POLE PIECE

NOMINAL IMPEDANCE	8 Ω
NOMINAL POWER (IEC 268-5)	40 W
MUSIC POWER (DIN 45500)	70 W
FREQUENCY RANGE	60-5000 Hz
SENSITIVITY (1W, 1m)	88 dB
EFFECTIVE DIAPHRAGM AREA	86 cm ²
VOICE COIL RESISTANCE	5,7 Ω
VOICE COIL INDUCTANCE	0,7 mH
OPERATING POWER	6,3 W
VOICE COIL DIAMETER	25 mm
VOICE COIL HEIGHT	14 mm
AIR GAP HEIGHT	6 mm
FREE AIR RESONANCE	60 Hz
MOVING MASS (incl. air)	7,5 g
FORCE FACTOR, B x l	6,0 Txm
MAGNET WEIGHT	(14,6 oz) 415 g
Qms	1,38
Qes	0,43
Qts	0,33
Vas	10 lts



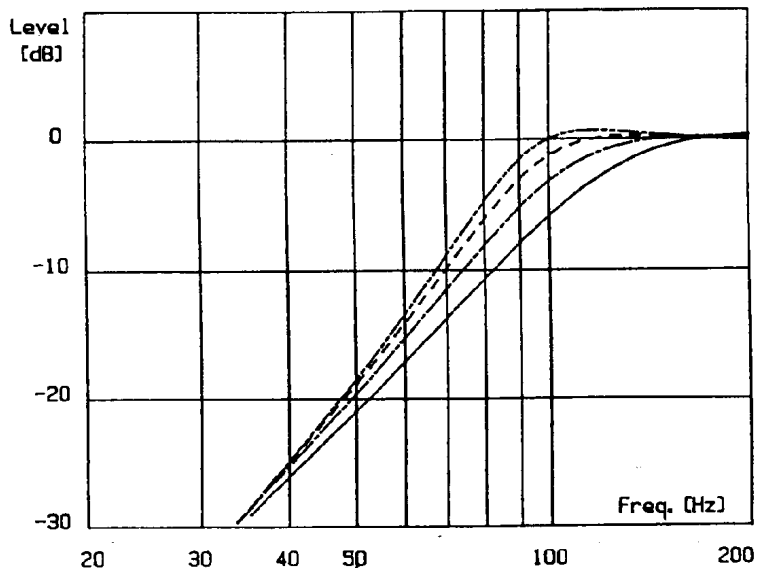
P13WH-00-08

Applications

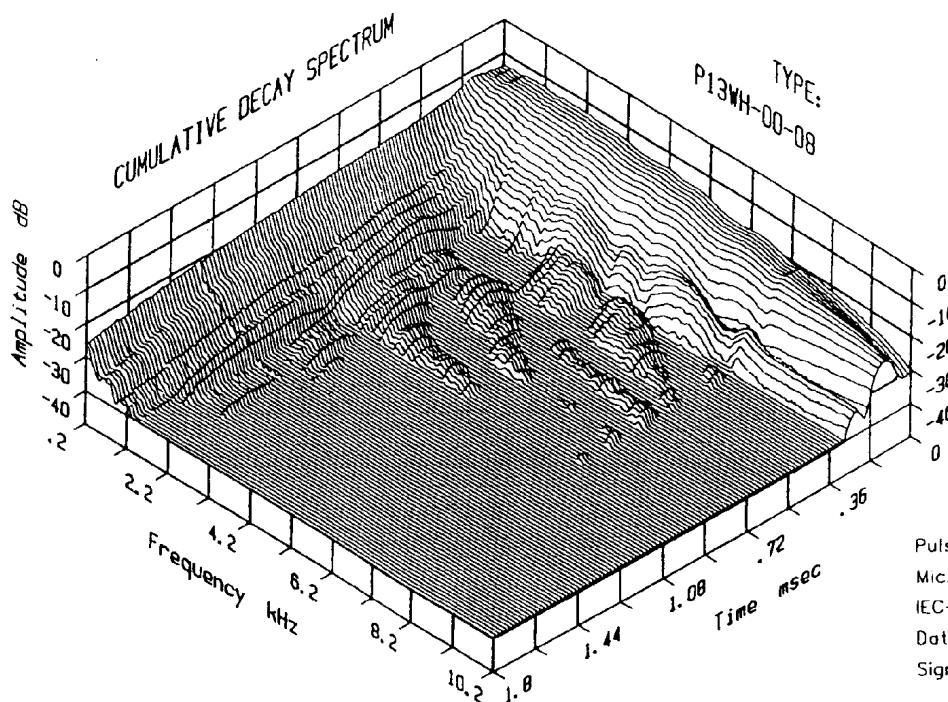
BASS REFLEX SYNTHESIS

	Vb [litre]	Fb [Hz]	Dp [cm]	Lp [cm]
1	3	90	5.0	14.3
2	5	90	6.0	11.4
3	8	90	6.0	5.9
4	12	90	7.0	4.5

Vb: Box Volume
 Fb: Tuning Frequency
 Dp: Port Diameter
 Lp: Port Length



The P13WH-00-08 is designed as a small "general purpose" woofer. It may be used in 3-10 litres sealed enclosures, but the best result will be obtained in a 3-12 litres vented box. Another application is as midrange for very low crossover frequencies.



Pulse: 10V/25µs
 Mic.: 0,15 m
 IEC-baffle
 Date: 30.05.90
 Sign.: BJ